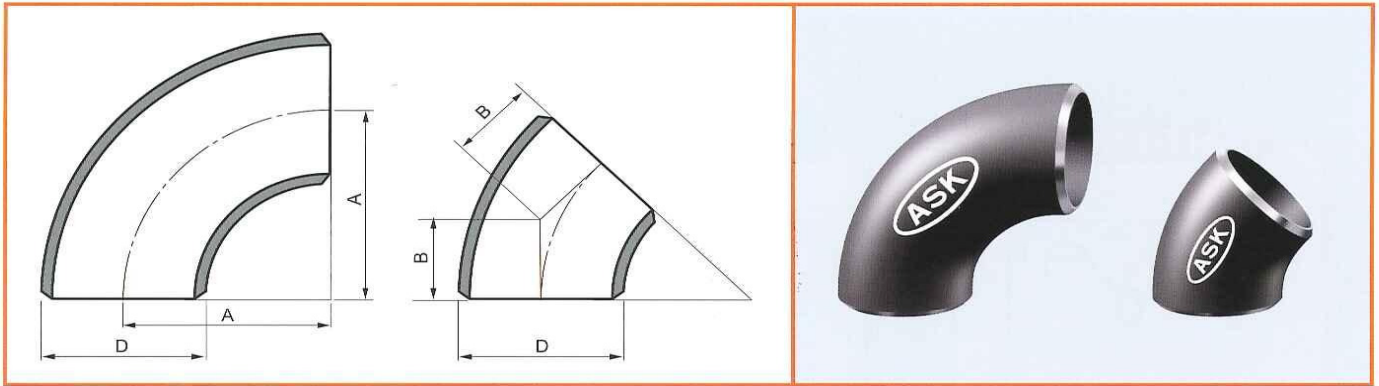


DIMENSIONS OF LONG RADIUS ELBOWS

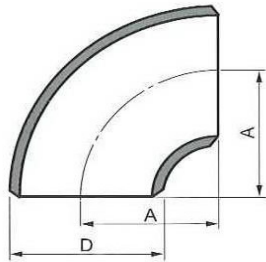


ASME B 16.9

Unit: mm

Nominal Pipe Size (NPS)	Outside Diameter at Bevel D	Center-to-End	
		90 Deg Elbows A	45 Deg Elbows B
1/2	21.3	38.1	15.7
3/4	26.7	38.1	19.1
1	33.4	38.1	22.4
1-1/4	42.2	47.8	25.4
1-1/2	48.3	57.2	28.4
2	60.3	76.2	35.1
2-1/2	73.0	95.2	44.4
3	88.9	114.3	50.8
3-1/2	101.6	133.4	57.2
4	114.3	152.4	63.5
5	141.3	190.5	79.2
6	168.3	228.6	95.2
8	219.1	304.8	127.0
10	273.0	381.0	158.8
12	323.8	457.2	190.5
14	355.6	533.4	222.2
16	406.4	609.6	254.0
18	457	685.8	285.8
20	508	762.0	317.5
22	558	838.2	342.9
24	610	914.4	381.0

DIMENSIONS OF SHORT RADIUS ELBOWS



ASME B 16.9

Unit: mm

Nominal Pipe Size (NPS)	Outside Diameter at Bevel D	Center-to-End 90 Deg Elbows A
1	33.4	25.4
1-1/4	42.2	31.8
1-1/2	48.3	38.1
2	60.3	50.8
2-1/2	73.0	63.5
3	88.9	76.2
3-1/2	101.6	88.9
4	114.3	101.6
5	141.3	127.0
6	168.3	152.4
8	219.1	203.2
10	273.0	254.0
12	323.8	304.8
14	355.6	355.6
16	406.4	406.4
18	457	457.2
20	508	508.0
22	558	558.8
24	610	609.6